

SMARTER WATER FOR A
SMARTER HOME

06

COMPETITION POOL EQUIPMENT

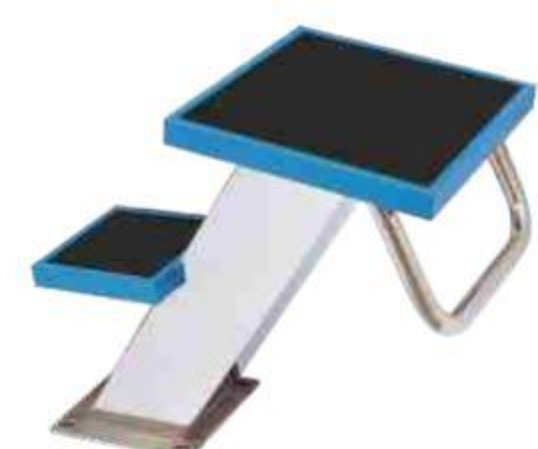
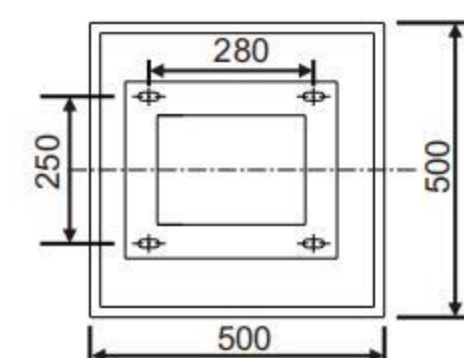
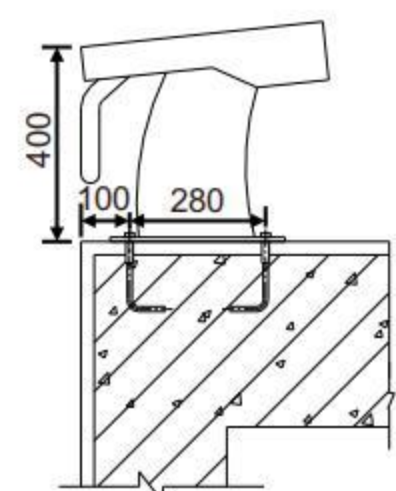


STARTING PLATFORMS COMPETITION POOL EQUIPMENT

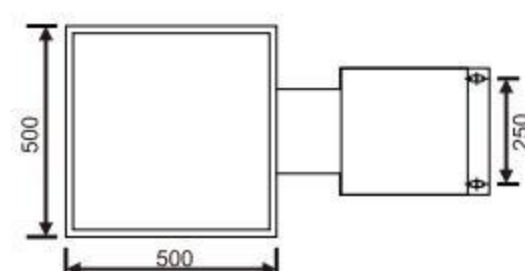
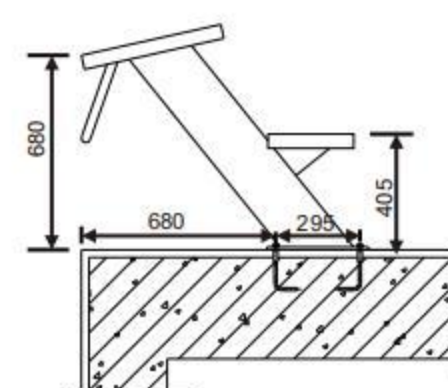
Universally acclaimed by coaches and competitive swimmers, this platform is graceful and functionally simplistic. The surface area is covered with non-slip material.



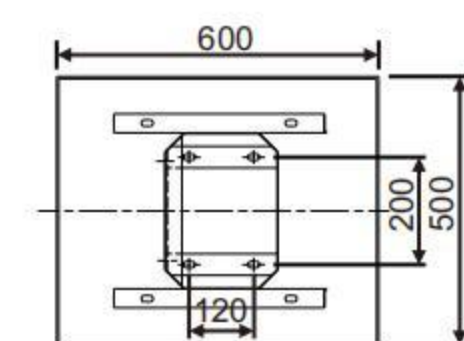
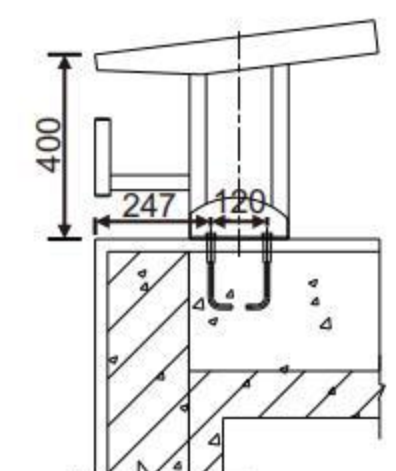
WL-ACF01 Standard Starting Platform



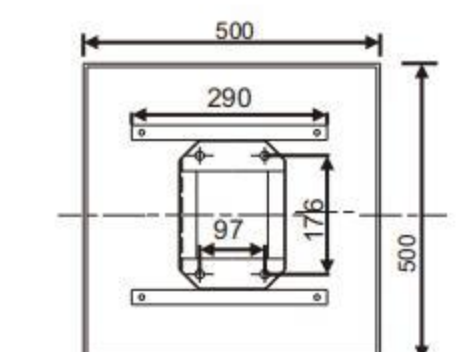
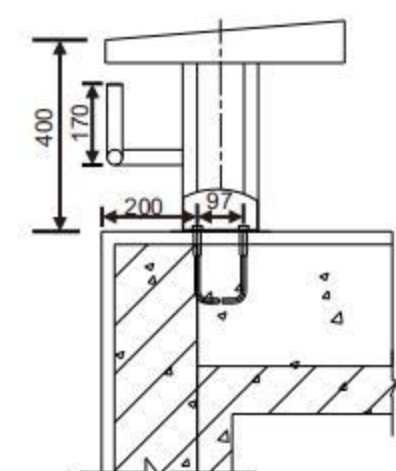
WL-ACF02 SS Two Steps Starting Platform



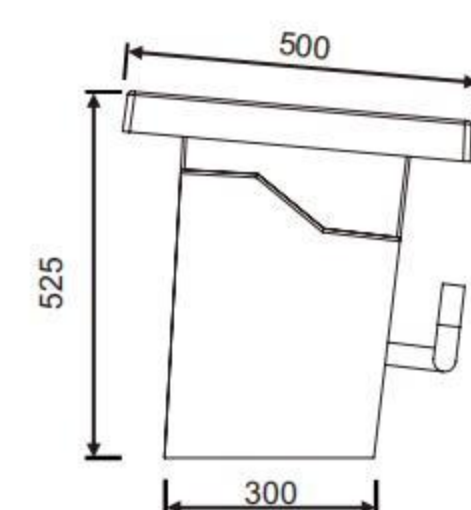
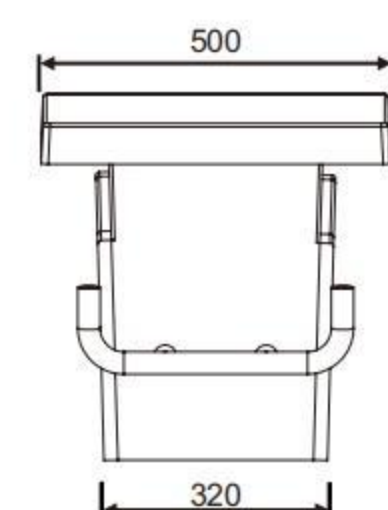
WL-BCF01 Standard Starting Platform



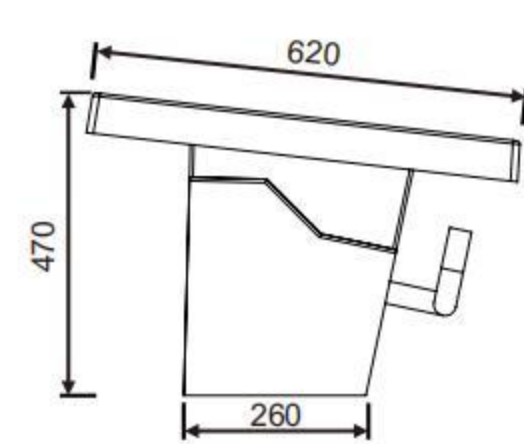
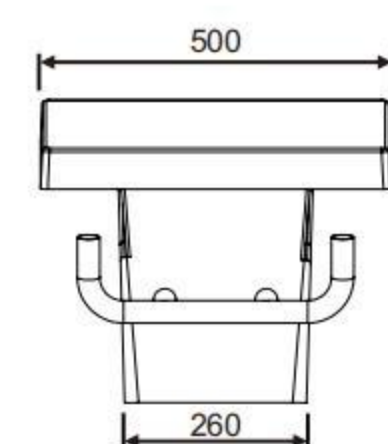
WL-BCF02 Standard Starting Platform



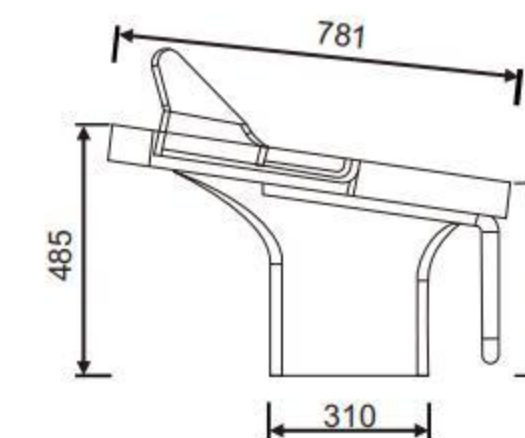
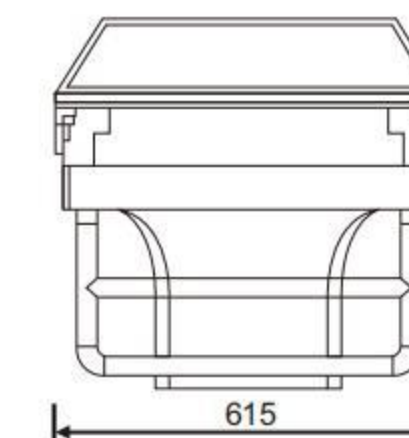
WL-ACF05 Standard Starting Platform



WL-ACF06 Standard Starting Platform



WL-ACF07 Standard Starting Platform

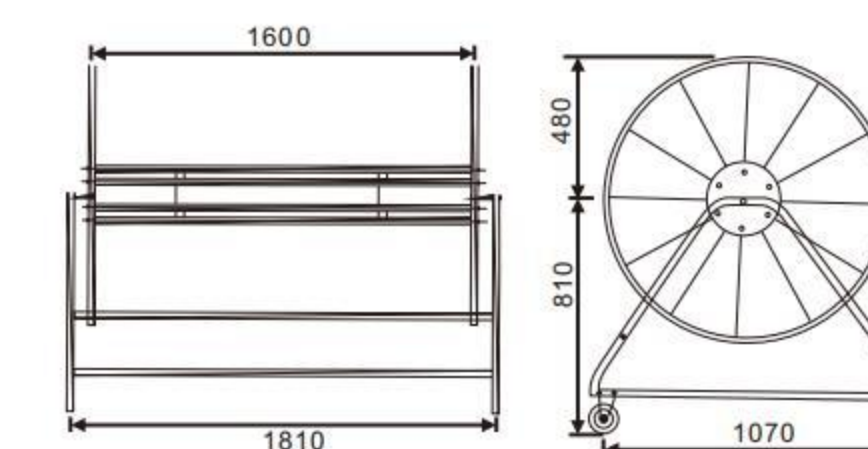


STORAGE REEL COMPETITION POOL EQUIPMENT

Made of stainless steel, provided with a large diameter wheel for line collection, mounted on 2 wheels for moving around. It is very strong and durable. Holds one 50m or two 25m lanes. Maintenance free. It is ideal lane reel for commercial and institutional pools.



WL-AJX01



RACING LANE LINE

Racing Lane's flow-through design controls water turbulence by allowing wave energy to be dispersed along the length of the lane, creating the optimum environment for the fastest swim times.

Each lane consists of a series of $\phi 120$ or $\phi 150$ mm polyethylene disks and donuts strung on a stainless steel cable. Each of these disks is designed to rotate independently of the others, thereby allowing the wave energy to be absorbed and dispersed along the channel within the lane. Competitor lanes come completely assembled.

Standard Colors - Red, White, Blue, Yellow, Green.



Model	Specification
WL-BYD101	$\phi 150 \times 25$ m
WL-BYD102	$\phi 150 \times 50$ m
WL-BYD201	$\phi 120 \times 25$ m
WL-BYD202	$\phi 120 \times 50$ m