

SMARTER WATER FOR A
SMARTER HOME

09

SWIM CURRENT MACHINE & FILTRATION UNITS



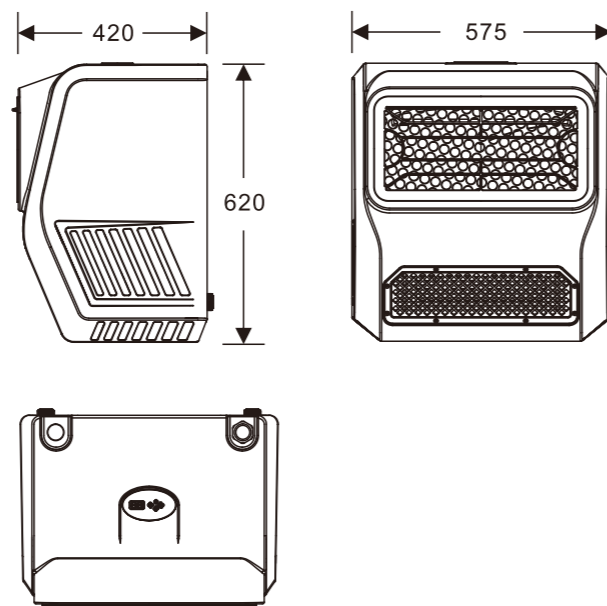
WL-MPU08 WALL MOUNTED MINI SWIM CURRENT MACHINE



Many private and small swimming pools are small due to the limited activity space and swimming distance. In order to provide homeowners a private swimming pool with swimming functions, the manufacturer has developed the MPU08 wall mounted Mini swim current machine. By providing strong propulsion power, swimmers can swim in counter flow to exercise, which makes private swimming pools more valuable.

Product features:

- Easy installation: wall mounted, ready to use.
- Small size: it is compact, saving space, easy to transport.
- Stepless speed regulation: 1-99 speeds, suitable for beginners or professional swimmers.
- Easy to operate: Equipped with a remote control, easy to use.
- Made by an integrated molding process and durable, corrosion-resistant & UV resistant material.
- Low voltage: with low-voltage DC29V motor, more safe and reliable.
- Equipped with regular motor rotation function to extend service life.
- Suitable for various swimming pools such as above ground and underground pools with minimum pool size of 2m×4m.



Model	Power supply (V)	Working voltage (V)	Rated power (kW)	Rated current (A)	Max. Speed (m/s)	Max. flow (m³/h)	Min. Pool depth (m)	Dimension (mm)
MPU08-2DE	220-240	DC29	1.6	8	1.6	510	0.8	420×575×620

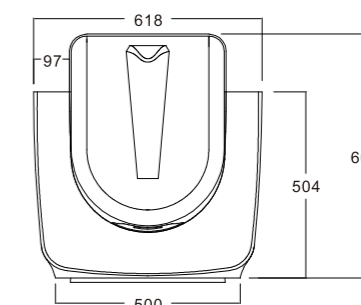
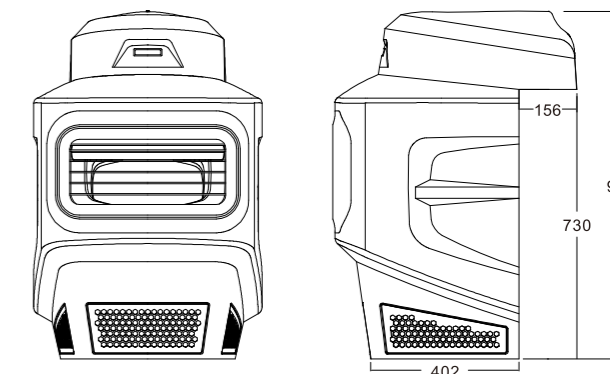
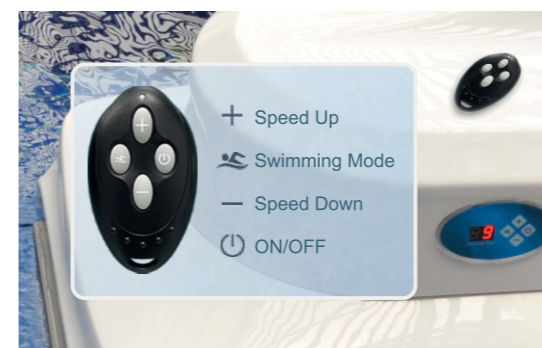
WL-MPU12 LASWIM SWIM CURRENT MACHINE



Adopting a number of high-tech technologies in pool water treatment and spa projects, LASWIM swim current machine is integrated the advanced and practical water environment equipment, making the construction of private swimming pools easier and faster, and making swimming and fitness experience more professional and perfect.

Main features:

- Unlimited swimming
- 99-speed shift mode
- Laminar flow technology
- Waterproof remote control
- DC36V safe voltage
- Wall mounted installation
- Fashion, smart, compact
- High quality acrylic shell



Model	Power supply (V)	Working voltage (V)	Input power (kW)	Rated power (kW)	Laminar outlet (mm)	Max flow (m³/h)	Max speed (m/min)	Dimension (mm)
MPU12	220V	DC36	2	1.2	460×215	719	150	660×618×941

WL-RPU WALL MOUNTED UNLIMITED SWIMMING MACHINE

Having accumulated many years of advanced technology and practical experience in the field of pool industry, to improve the swimmers' swimming experience and life quality, LASWIM creatively has developed wall mounted unlimited swimming machine which is suitable for different sizes of pools.

Infinite variable speeds could be adjusted according to swimmers' demand by controller or WeChat applet.

Main features:

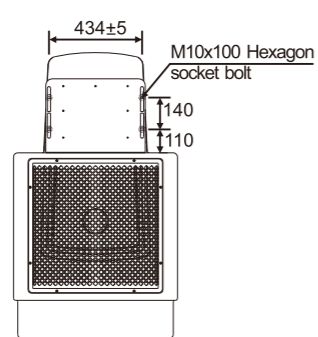
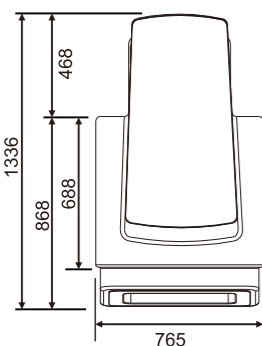
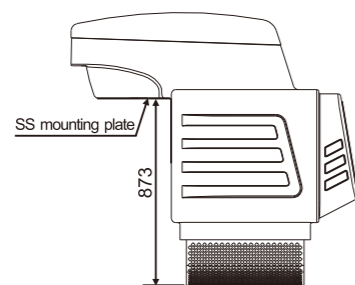
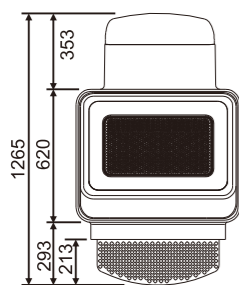
- Easy to install. Just hung on pool wall with 4pcs fixed screws.
- Safety performance. Work with low-voltage as DC36V.
- Operate with low noise, no vibration.
- Can be installed in the pool with a depth of 0.9m.
- Innovative and fashionable design, pretty and compact.
- Manufactured by environmental, UV-resistance, corrosion resistant materials.
- Suitable for reconstructive old pools or new pools in different sizes.



Standard



Optional



Model	Power supply (V)	Working voltage (V)	Input power (kW)	Rated power (kW)	Laminar outlet (mm)	Max flow (m ³ /h)	Max speed (m/min)	Dimension (mm)
RPU20	220V	DC36	3.0	2.0	500 x 280	1000	186	1336 x 765 x 1265
RPU25	220V	DC36	4.0	2.5	500 x 280	1300	240	1336 x 765 x 1265

WL-AYT25Y WALL-HUNG FILTRATION UNIT

The housing is made of high quality acrylic, the unit is easy to install and contains all the equipment for filtration, circulation, disinfection, drainage and lighting in one compact unit. It is also equipped with a multifunctional jet which not only makes the pool water circulate, but also has functions for swimming training, massage and fun in the water.

Installation:

- Clear away any debris from the installation area, and make a datum mark before installation.
- Place the unit in a proper position according to the installation detail drawing. Adjust the unit with a level to make sure the tolerance is less than 2mm. Use the filler pieces to pack the unit level, fix the packing pieces, then fill in the vacant area with grout.
- Connect drainpipe and cable pipe as shown in the installation detail drawing. The control box must be damp-proofed. Electrical installation and testing must be done by a licensed or certified electrician.
- Fill in the joint between the unit and pool wall with grout when installing, and seal it with sealant.
- After installation, fill with sand around the unit board. Spread stones on the side of pool to match the pool structure, record the installation notes.



WL-AYT25Y



Pool Light



Swim Jet



Filter Bag



Filter basket



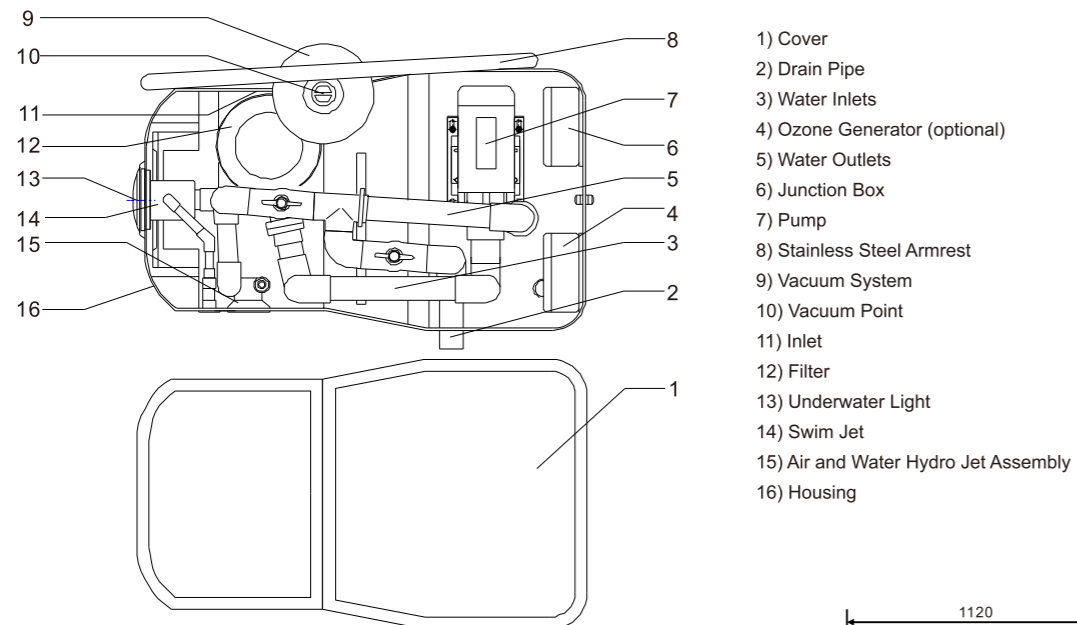
Electronic control system (Optional)



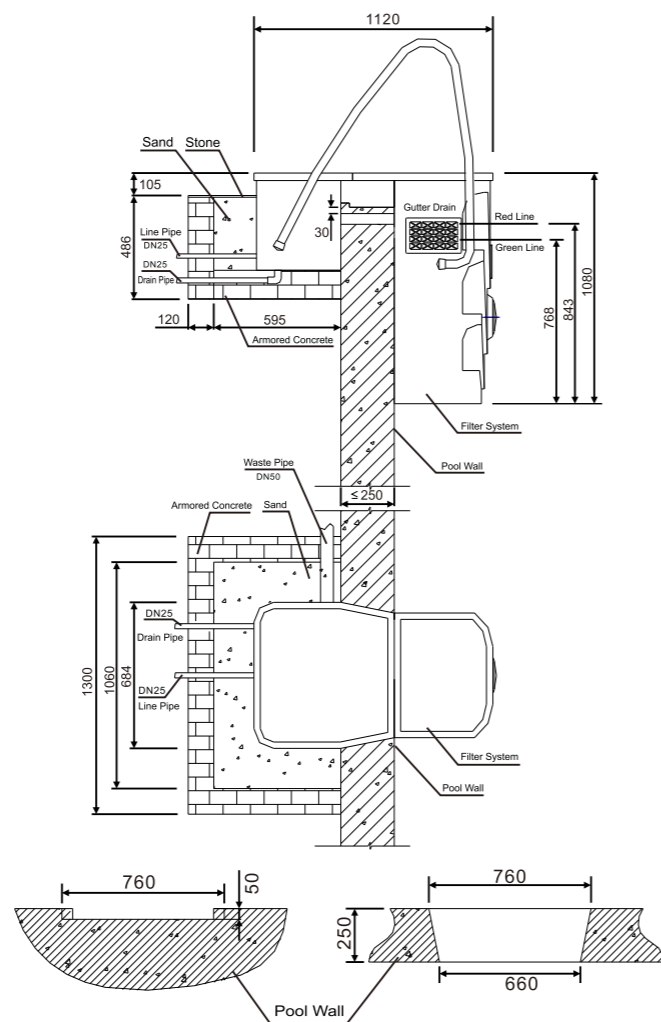
Pump(HP)	Voltage(V)	Flow Rate	Filter Precision	Filter Area	Noises	Outline Size
2.0HP	220V	25m ³ /h	≤5μ	0.297m ²	≤40dB	1120×684×1080mm

PM-GL25Y WALL-HUNG FILTRATION UNIT

Installation process

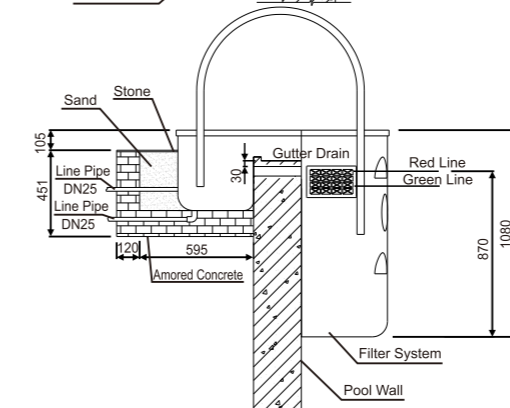
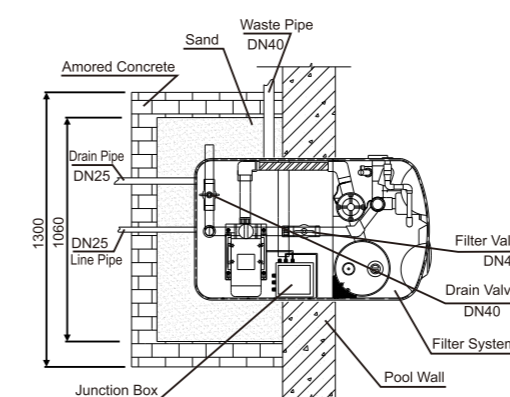
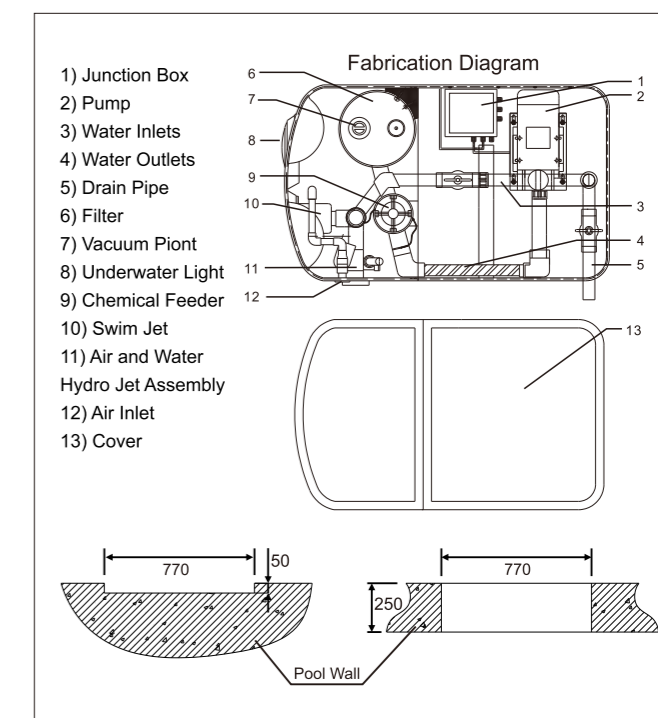


Fabrication Diagram



PM-GL25Y

The housing is made of high quality acrylic, the unit is easy to install and contains all the equipment for filtration, circulation, disinfection, drainage and lighting in one compact unit. It is also equipped with a multifunctional jet which not only makes the pool water circulate, but also has functions for swimming training, massage and fun in the water.



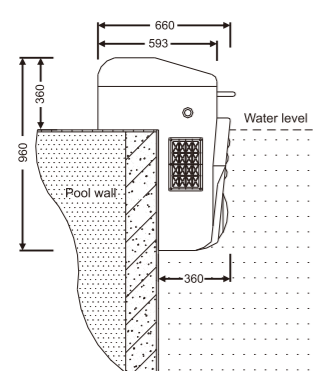
Pump(HP)	Flow Rate	Filter Precision	Filter Area	Noises	Outline Size
2.0HP	22m ³ /h	≤5μ	0.297m ²	≤50dB	1725×1112×684mm

WL-GYT10Y WALL-HUNG FILTRATION UNIT

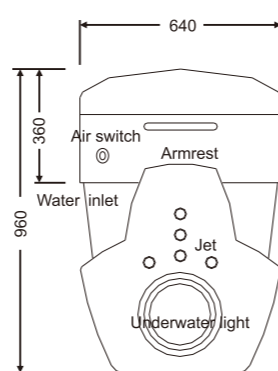
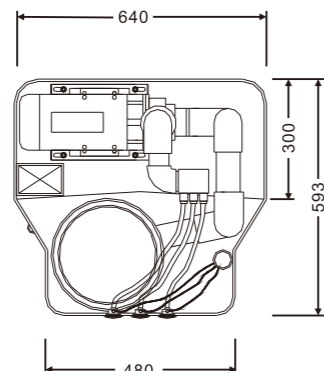
The housing is made of high quality acrylic, the unit is easy for installation and assembles all the equipment of filtration, circulation, drainage and lighting in one compact unit. It is also equipped with multifunctional jet which not only makes the pool water circulate, but also has functions of swimming training, massage and fun in water. Extra fit for children pools.



WL-GYT10Y

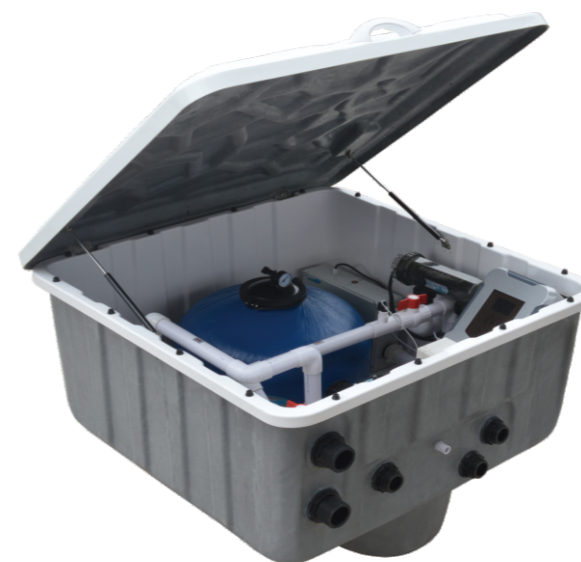


Installation figure



Pump(HP)	Voltage(V)	Flow Rate	Filter Precision	Filter Area	Noises	Outline Size
1.2HP	220V	10~13m ³ /h	≤5μ	0.26m ²	≤40dB	640x660x960mm

WL-GMT/ WL-MMT/ WL-DMT FILTRATION UNITS



WL-GMT /MMT/DMT

Filtration unit is one of the best choices for swimming pool. It is in good appearance, easy to operate and long-time use. Different models could be chosen according to different size of swimming pools and actual demand.

WL-DMT

- Easy to operate, no need the equipment room and special maintenance.
- Adopts high precious of sand filter.
- With good performance pump.
- More economical because of simple disinfecting equipment-chemical feeder.

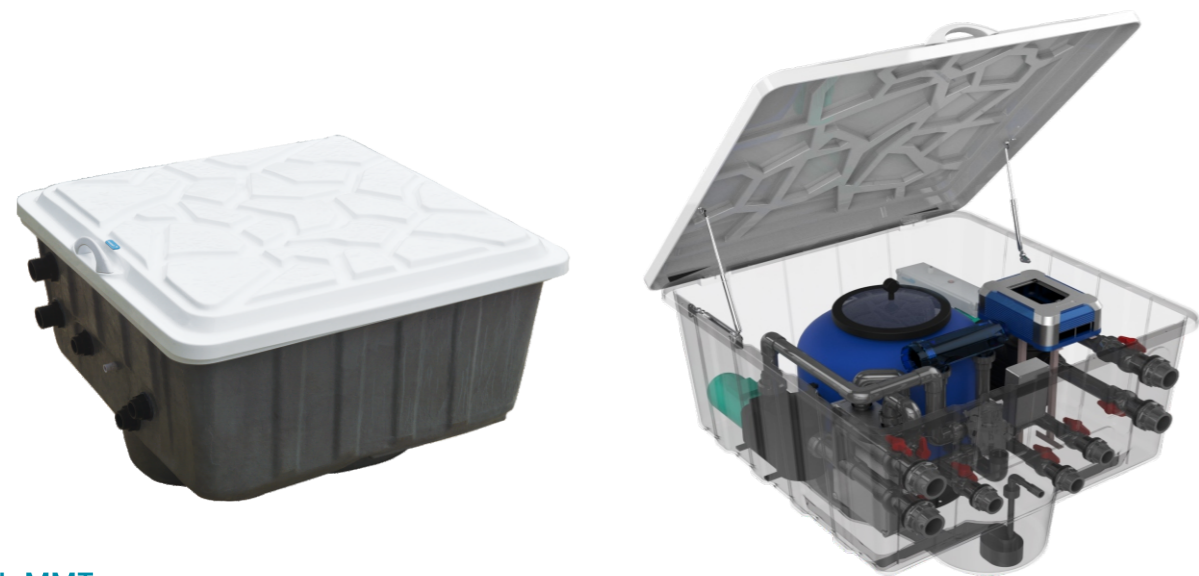
WL-DMT parameter

Model	Horsepower (HP)	Voltage (V)	Flow Rate (m ³ /h)	Filter area (m ²)	Pool volume (m ³)	Outline size (mm)
WL-DMT-8	0.75	220~240	8	0.16	≤64	1320×1340×985
WL-DMT-12	1		12	0.23	≤92	
WL-DMT-16	1.5		16	0.32	≤128	
WL-DMT-20	2.0		20	0.4	≤160	1550×1560×1135
WL-DMT-25			25	0.5	≤200	

WL-DMT Specification

Model	Main parts
WL-DMT-8	BCG450 sand filter + 0.75HP pump + chemical feeder
WL-DMT-12	BCG500 sand filter + 1HP pump + chemical feeder
WL-DMT-16	BCG650 sand filter + 1.5HP pump + chemical feeder
WL-DMT-20	BCG700 sand filter + 2HP pump + chemical feeder
WL-DMT-25	BCG800 sand filter + 2HP pump + chemical feeder

WL-GMT/ WL-MMT/ WL-DMT FILTRATION UNITS



WL-GMT /MMT/DMT

WL-MMT

- The progressive filtration unit adopts professional sand filter, high efficiency pump and salt-chlorine generator, 3HP massage pump and submersible pump.
- 3HP massage pump makes the filtration unit more powerful.
- Equipped with submersible pump, avoiding the security risk that caused by accumulated water in tank.
- Equipped with salt-chlorine generator, the most effective and high-tech equipments.

WL-MMT parameter

Model	Horsepower (HP)	Voltage (V)	Flow Rate (m ³ /h)	Filter area (m ²)	Pool volume (m ³)	Outline size (mm)
WL-MMT-8	0.75	220~240	8	0.16	≤64	1320×1340×985
WL-MMT-12	1		12	0.23	≤92	
WL-MMT-16	1.5		16	0.32	≤128	
WL-MMT-20	2.0		20	0.4	≤160	1550×1560×1135
WL-MMT-25			25	0.5	≤200	

WL-MMT Specification

Model	Main parts
WL-MMT-8	BCG450 sand filter + HLLF075M circulation pump + HLLF300M Massage pump + submersible pump + EC8 salt chlorinator
WL-MMT-12	BCG500 sand filter + HLLF100M circulation pump + HLLF300M Massage pump + submersible pump + EC12 salt chlorinator
WL-MMT-16	BCG650 sand filter + HLLF150M circulation pump+ HLLF300M Massage pump + submersible pump + EC16 salt chlorinator
WL-MMT-20	BCG700 sand filter + HLLF200M circulation pump+ HLLF300M Massage pump + submersible pump + SQ30 salt-chlorinator
WL-MMT-25	BCG800 sand filter + HLLF200M circulation pump+ HLLF300M Massage pump + submersible pump + SQ40 salt chlorinator

WL-GMT

- Adopts LASWIM pump with high performance and low noise.
- With submersible pump to avoid the hazardous of flood in filtration box.
- Adopts high-tech disinfecting equipment, such as salt chlorine generator and UVsterilizer.
- Could be used for swimming pool, hot spring and SPA in different sizes and various shapes.

WL-GMT parameter

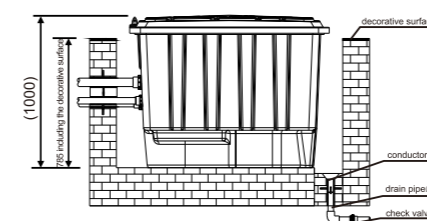
Model	Horsepower (HP)	Voltage (V)	Flow Rate (m ³ /h)	Filter area (m ²)	Pool volume (m ³)	Outline size (mm)
WL-GMT-8	1.5	220~240	8	0.16	≤64	1320×1340×985
WL-GMT-12			12	0.23	≤92	
WL-GMT-16			16	0.32	≤128	
WL-GMT-20	2.0		20	0.4	≤160	1550×1560×1135
WL-GMT-25			25	0.5	≤200	

WL-GMT Specification

Model	Main parts
WL-GMT-8	BCG450 sand filter+0.75HP Circulation pump+ 3HP massage pump+ EC8 salt chlorinator + 28W UV Sterilizer+ submersible pump
WL-GMT-12	BCG500 sand filter+1.0HP Circulation pump+ 3HP massage pump+ EC12 salt chlorinator + 28W UV Sterilizer+ submersible pump
WL-GMT-16	BCG650 sand filter+1.5HP Circulation pump+ 3HP massage pump+ EC16 salt chlorinator + 28W UV Sterilizer+ submersible pump
WL-GMT-20	BCG700 sand filter+2HP Circulation pump+ 3HP massage pump+ SQ30 salt chlorinator + 28W UV Sterilizer+ submersible pump
WL-GMT-25	BCG800 sand filter+2HP Circulation pump+ 3HP massage pump+ SQ40 salt chlorinator + 28W UV Sterilizer+ submersible pump

Remark: Please refer to the relevant page of this information for details and performance of the product in the above table.

1、WL-GMT-8/12/16 INSTALLATION DIAGRAM



2、WL-GMT-20/25 INSTALLATION DIAGRAM

