

SMARTER WATER FOR A  
SMARTER HOME

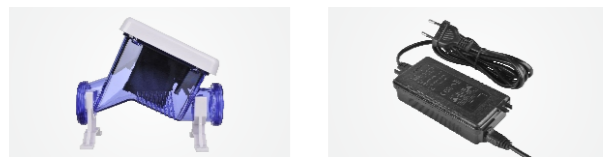
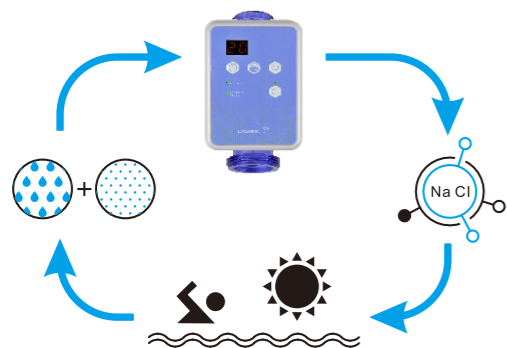
04

# DISINFECTING EQUIPMENT

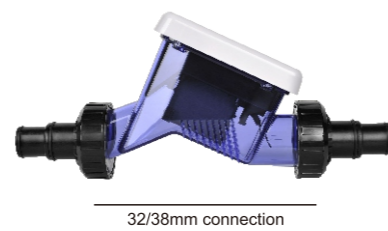
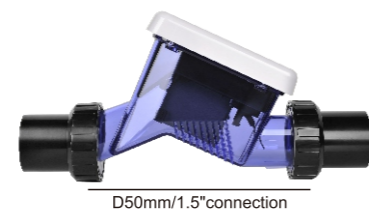


# SR SALT CHLORINATOR DISINFECTING EQUIPMENT

Introducing the SR Series Salt Chlorinator, crafted with small pools in mind. Simplify your pool's disinfection process effortlessly – just add salt, and let it convert into active chlorine and active oxygen. Enjoy the convenience of low-maintenance with self-cleaning titanium cells and a user-friendly control panel. With the SR Series Salt Chlorinator, maintaining a safe and pristine pool is a walk in the park. Say farewell to the challenges of traditional chlorine disinfection! Find out more in our product catalog.



- AUDIO AND VISUAL ALARM
- SMART MEMORY SYSTEM
- CHLORINE OUTPUT ADJUSTABLE
- SELF-CLEAN
- WATER FLOW SWITCH
- LOW SALT ALARM

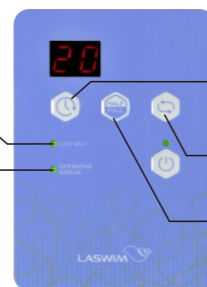


## Feature:

- 2 types connections available: 50mm/1.5" unions must be sealed with PVC cement or 32/38mm flexible hose locked with stainless steel collars. (stainless steel collar is optional)
- Integrated water flow switch, water temperature sensor and salinity monitor, which is easy to monitor the water quality.
- Preset multiple intelligent operation modes, one-button switching, simple operation, time and worry saving.
- It is easy to maintain and alerts abnormalities with the built-in warning function.
- The unique housing design with transparent material is easy to observe the operation.

Low salt alarm, when the salinity is too low, the chlorinator will alarm with error code.

Operating status  
Red: stop/standby  
Green: working



Working time selection.

Self-cleaning reverse polarity, to reduce the scaling forming and prolong the electrode lifetime.

HALF/FULL chlorine output selection.

## Advantages:



### Self-cleaning

Self-cleaning can prevent calcium from accumulating and can be set to reverse polarity every 4, 8, or 12 hours, which can extend the life of the titanium plates.



### Water Temperature Monitoring

It warns if the water temperature is more than 45°C(113°F) or lower than 10°C(50°F). It will shut down while more than 45°C.



### Salinity Monitoring

It warns if the salinity is too low to maintain effective disinfection.



### Chlorine Production

One key to chose HALF/FULL chlorine output.



### Memory

The salt chlorinator turns on automatically and reverses the polarity after powering on. At the same time, it can revert to the settings of the last operation.



### Operation Time Setting

You can set the operation time according to different pools to save energy. Working time can be set by manual.



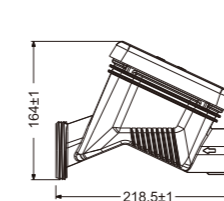
### Restore Default Settings

Back to default setting by pressing the restore button.

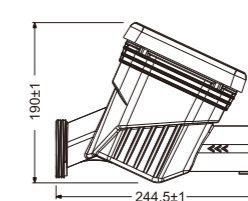


### Error Alarm For Troubleshooting

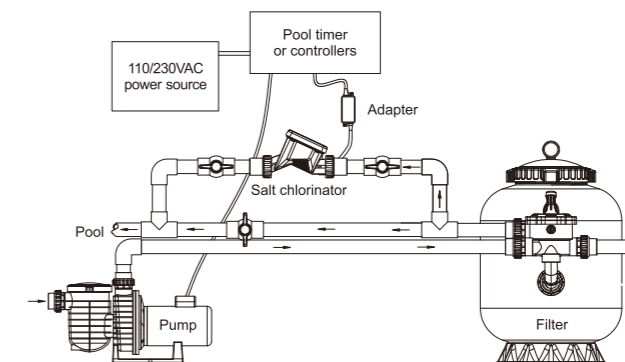
The salt chlorinator automatically shuts down in case of abnormalities due to the protection function of voltage, current and water flow. It extends the life of the salt chlorinators.



SR050-100



SR125-300



Model	Power input	Power output	Chlorine production	Ideal salinity	Recommended pool volume(m <sup>3</sup> )	Size (mm)
SR050	AC100-240V 50Hz/60Hz	DC24V	5g/h	2700-4500PPM	≤22m <sup>3</sup>	218.5×115.8×164
SR075	AC100-240V 50Hz/60Hz	DC24V	7.5g/h	2700-4500PPM	≤34m <sup>3</sup>	218.5×115.8×164
SR100	AC100-240V 50Hz/60Hz	DC24V	10g/h	2700-4500PPM	≤45m <sup>3</sup>	218.5×115.8×164
SR125	AC100-240V 50Hz/60Hz	DC24V	12.5g/h	2700-4500PPM	≤56m <sup>3</sup>	244.5×115.8×190
SR150	AC100-240V 50Hz/60Hz	DC24V	15g/h	2700-4500PPM	≤68m <sup>3</sup>	244.5×115.8×190
SR200	AC100-240V 50Hz/60Hz	DC24V	20g/h	2700-4500PPM	≤90m <sup>3</sup>	244.5×115.8×190
SR250	AC100-240V 50Hz/60Hz	DC24V	25g/h	2700-4500PPM	≤110m <sup>3</sup>	244.5×115.8×190
SR300	AC100-240V 50Hz/60Hz	DC29V	30g/h	2700-4500PPM	≤135m <sup>3</sup>	244.5×115.8×190

Note: • In practice, the local pool standards and professional habits should be considered, and the adjusting allowance of 20-30% should be reserved.  
• For outdoor pool, cyanuric acid(stabilizer) should be added to pool water, the ideal range for cyanuric acid is 25-50ppm when used.

# HQ/SQ SALT CHLORINATOR DISINFECTING EQUIPMENT

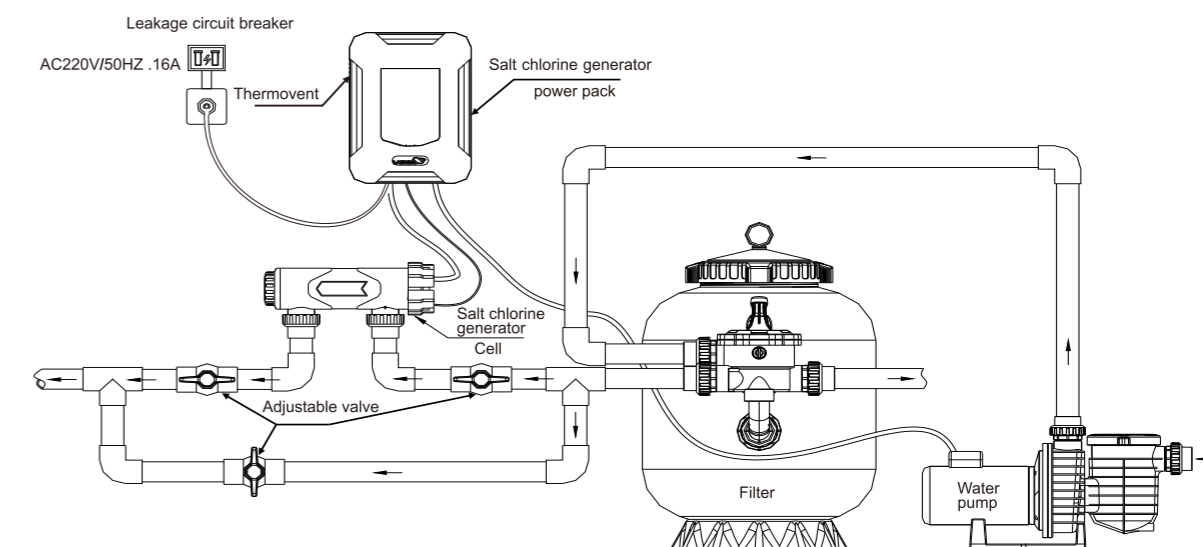
Discover the HQ/SQ Salt Chlorinator – an exceptional solution for elevating your pool water quality without the use of harsh chemicals. This reliable and low-maintenance system prioritizes safety and health, utilizing harmless table salt to create a refreshing swimming environment.

Enjoy the ease of programming and fully automatic operation, allowing you to unwind during your swim without worry. Our salt chlorinator offers an alternative, electrolysis-based approach to pool sanitation, transforming sodium chloride in the water into chlorine for effective disinfection. Dive into the future of pool care with HQ/SQ Salt Chlorinator – where simplicity meets superior water quality.



## Titanium panels with fast, efficient and stable chlorine output

- Titanium panels with coating enable to generate chlorine fast, efficiently and stably.
- Cell housing is made of high strength and Corrosion-resistant PC, which prolong the life time.
- Detachable titanium panels are easy to install, clean and daily maintain.
- Two optional outlets make installation more convenient.



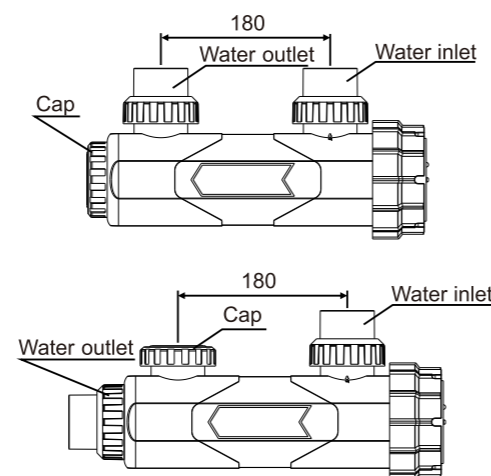
## Features:

- Self clean function: by reverse the polarity automatically, which prevents calcium from accumulating and therefore prolong the cell's lifetime.
- Six different chlorine output control: easy adjustment of chlorine level, to meet demand of different time, this will save energy and environment friendly.
- HQ salt chlorinators are equipped with timer for pump and timer for underwater light.
- Smart cooling: the cooling intensity can be adjustment according to the temperature inside the control box.
- Protect from no adequate water causing the generator or cell destroyed.
- Overheat protection: prolong the control system life span.
- Alarm system: automatic protection for your system and pool if salt level is too low.
- Temperature sensor could be changed separately, reduce the maintenance cost.



HQ salt chlorinator control panel

## Humanized design of two outlets



HQ salt chlorinators are equipped with timers for pump and underwater light.

Model	Electrolytic cell dimensions LxWxH ( mm )	Max Chlorine production (g/h)	Voltage ( V )	Total power ( W )	Pump power ( Max )	Light power ( Max )	Max Pool Volume (m³)
HQ 20	365x260x140	16	AC220~240V	1.70kW	1.5kW/6.8A	AC12V/100W	68
HQ 30	365x260x140	25	AC220~240V	1.75kW	1.5kW/6.8A	AC12V/100W	105
HQ 40	365x260x140	33	AC220~240V	1.80kW	1.5kW/6.8A	AC12V/100W	140
HQ 50	365x260x140	42	AC220~240V	1.85kW	1.5kW/6.8A	AC12V/100W	175
SQ 20	365x260x140	16	AC220~240V	0.25kW	----	----	68
SQ 30	365x260x140	25	AC220~240V	0.25kW	----	----	105
SQ 40	365x260x140	33	AC220~240V	0.25kW	----	----	140
SQ 50	365x260x140	42	AC220~240V	0.25kW	----	----	175

## Note:

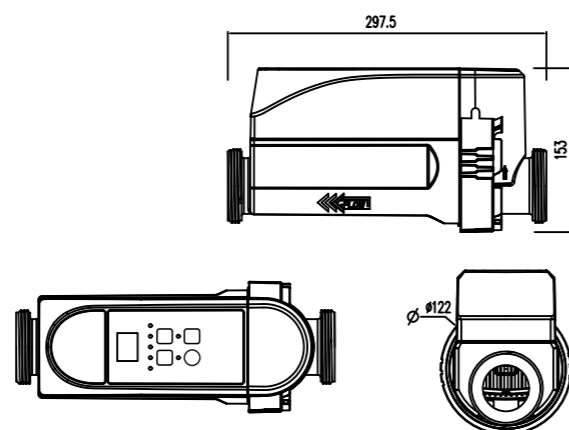
- In practice, the local pool standards and professional habits should be considered, and the adjusting allowance of 20-30% should be reserved.
- For outdoor pool, cyanuric acid(stabilizer) should be added to pool water, the ideal range for cyanuric acid is 25-50ppm when used.

# EC PLUS SERIES SALT CHLORINATOR DISINFECTING EQUIPMENT



Using salt electrolysis method to create chlorine has been proven an economical, advanced, practical and reliable way to ensure the sanitization of pool water for small and medium pools. This method has been adapted and used all over the world.

The LASWIM EC Plus Series Salt Chlorinator applied advanced micro-computer technology and customer oriented design, to provide the most energy saving and environmental friendly method to sanitize small and medium pools. To achieve this simple, smart and safe chlorine production, all the chlorinator require is only salt.



## TECHNICAL DATA

Model	Size (mm)	Working Voltage (V)	Working Current (A)	Max Chlorine production(g/h)	Dia. of Water Inlet and Outlet	Max Pool Volume (m <sup>3</sup> )
WL-EC Plus 8	297.5x122x153	DC 24	4	8	1.5"/50mm	35
WL-EC Plus 12	297.5x122x153	DC 24	4	12	1.5"/50mm	50
WL-EC Plus 16	297.5x122x153	DC 24	4	16	1.5"/50mm	68
WL-EC Plus 20	297.5x122x153	DC 24	4	20	1.5"/50mm	85
WL-EC Plus 30	297.5x122x153	DC 29	6	30	1.5"/50mm	127

### Note:

- In practice, the local pool standards and professional habits should be considered, and the adjusting allowance of 20-30% should be reserved.
- For outdoor pool, cyanuric acid(stabilizer) should be added to pool water, the ideal range for cyanuric acid is 25-50ppm when used.

## SIMPLE

### Simple to use

Simply put a corresponding amount of salt into the pool, the EC Plus series salt chlorinator will produce chlorine needed for disinfection automatically.

### Simple to operate

The Push-button operation and the easy-to-view display guarantee its fast operation.

### Simple to install

The smart structure of combined with control panel and cell, making the installation simple and easy.

### Simple to maintain

The titanium in the cell is removable, which makes it easy to clean and maintain.

## SMART

### Smart adjustment

Chlorine output is adjustable from 20% to 100% by simply pressing two button, satisfying different needs for different pools.

### Smart cleaning

Self-cleaning function by reversing the polarity automatically, which prevents calcium from accumulating and therefore prolong the cell's lifetime.

### Smart alarm

Fault auto alarm with error code, which is easy to find corresponding solutions.

### Smart protection

When the water temperature is too high or too low, the chlorinator will have warning, in order to protect the unit and prolong the cell's life. The integrated sensors in the cell also ensure that water flow is adequate for safe chlorine generation.

### Smart memory system

Each time the chlorinator restarts, it can automatically initiate the last work status, with this smart memory function.

## SAFE

### Safe disinfection

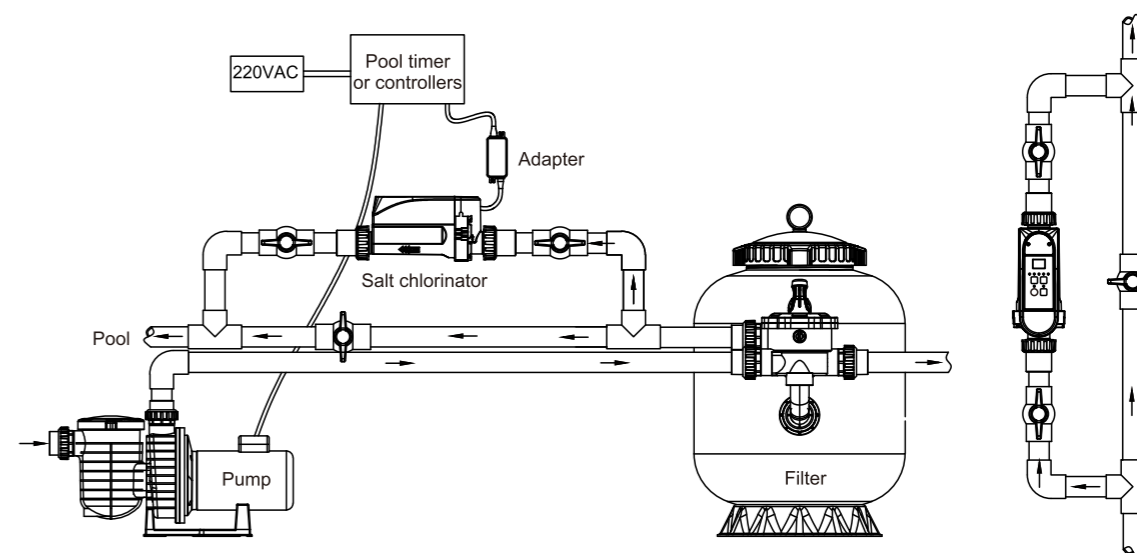
Different from those traditional disinfecting equipments, this salt chlorinator doesn't produce any disgusting smells. Discomfort like pinkeye or skin itch can be avoided as well.

### Safe water quality

The salt concentration in the pool matches that of the human body, which does not irritates the skin and improves the swimming experience.

### Safe voltage

Working voltage is 24V/29V, which keeps people safe from the danger of electrocution.



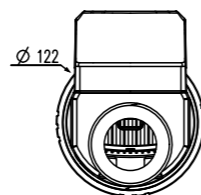
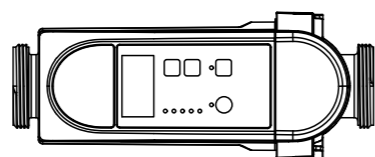
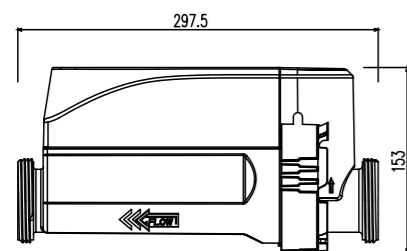
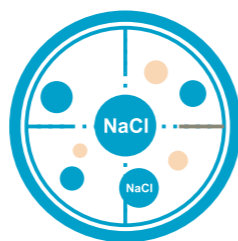
Installation diagram of the EC Plus Series Salt Chlorinator

# INTELLIGENT IoT SALT CHLORINATOR DISINFECTING EQUIPMENT



EC PRO Smart Salt Chlorinator:

Control pool disinfection easily with your phone or tablet, ensuring clear, healthy water for family fun, anytime, anywhere.



## TECHNICAL DATA

Model	Size(mm)	Voltage(V)	Working Current(A)	Max Chlorine Output(g/h)	Control Method	Dia. of Water Inlet and Outlet	Max Pool Volume (m <sup>3</sup> )
WL-EC Pro 4	297.5×122×153	input:AC100-240V, output:DC12V	2	4	Control panel+display/ smart life or tuya smart	1.5"/50mm	18
WL-EC Pro 8	297.5×122×153	input:AC100-240V, output:DC24V	4	8		1.5"/50mm	35
WL-EC Pro 12	297.5×122×153			12		1.5"/50mm	50
WL-EC Pro 16	297.5×122×153			16		1.5"/50mm	68
WL-EC Pro 20	297.5×122×153			20		1.5"/50mm	85
WL-EC Pro 30	297.5×122×153	input:AC100-240V, output:DC29V	6	30		1.5"/50mm	127

### Note:

- In practice, the local pool standards and professional habits should be considered, and the adjusting allowance of 20-30% should be reserved.
- For outdoor pool, cyanuric acid(stabilizer) should be added to pool water, the ideal range for cyanuric acid is 25-50ppm when used.

### EC PRO Salt chlorinator, intelligent, self-adapting operation, operates adaptively at low salt levels (1000ppm)

Smart low salt reminder, for easy operation, Set your pool size and receive smart reminders for adding salt to the ideal level (3500ppm) during extremely low salt conditions.

### A smart, IoT-enabled salt chlorinator for an easier and worry-free experience.

Through the Smart Life app, users can remotely control and network manage the salt chlorinator.

#### Intelligent control

You can manage your EC PRO salt chlorinator by smart life or tuya smart.

#### Self-adapting operation

The salt chlorinator adapts to reduce chlorine output when running on low salt.

#### Self-cleaning function

By reversing the polarity automatically, which prevent calcium from accumulating on the titanium plates. Reversal time 2/4/6/8 hours.

#### Salt shortage reminder

It indicates the required amount of salt when there is a shortage.

#### Chlorine output adjustment

Easily adjust chlorine production based on your needs with a simple button press.

#### One-click BOOST

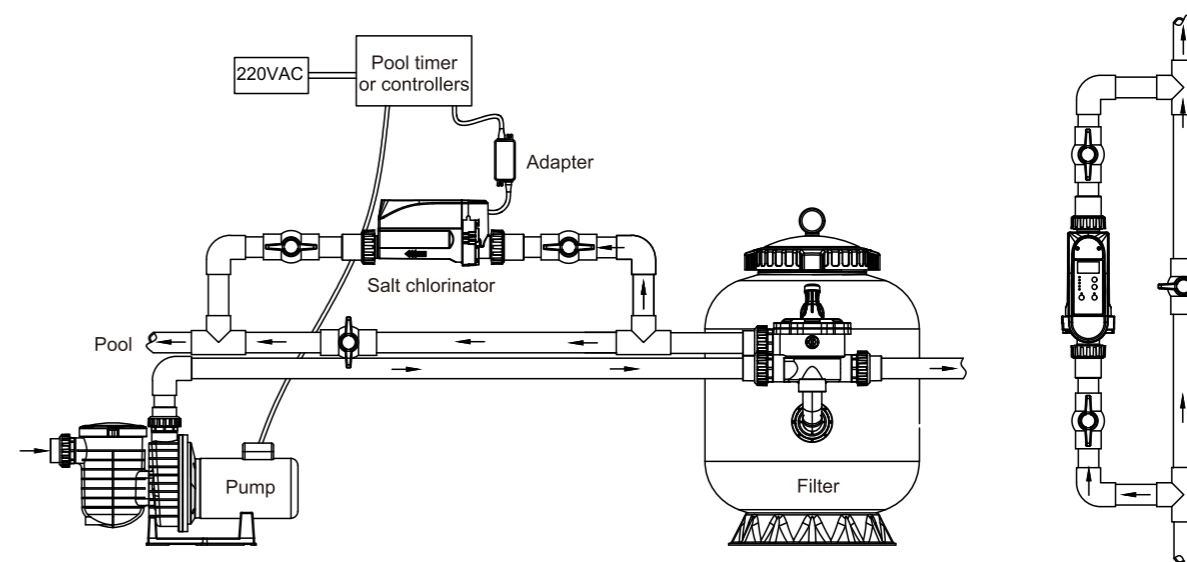
Accelerate chlorine production to effectively eliminate microorganisms and break down ammonia, suitable for various situations.

#### Power failure memory

Automatically resumes the previous working state when power is restored.

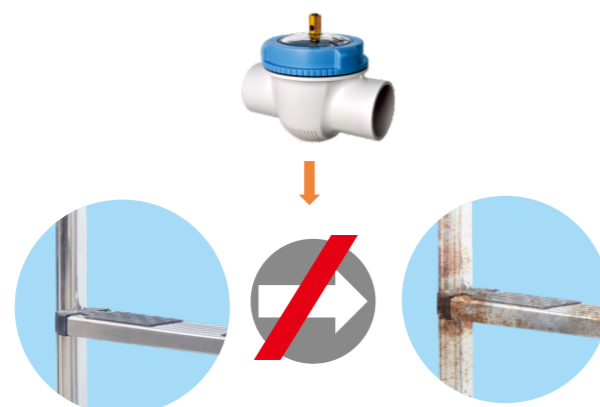
#### Smart protection

When the water temperature is too high or too low, the chlorinator will have warning, in order to protect the unit and prolong the cell's life. The integrated sensors in the cell also ensure that water flow is adequate for safe chlorine generation.



# ZINC SACRIFICIAL ANODE

When the pool uses the salt chlorine disinfection system, the pool water is similar to the salt water, the metal equipment in the pool will be electrolytic corrosion, but the use of the pool metal anticorrosion device can avoid the corrosion of the metal equipment in the pool, so that your pool equipment will have a longer service life and be safer.



The Zinc sacrificial anode device will break down over time and sacrifice itself so that other equipment that are composed of metal in your pool will not be affected by electrical corrosion. This product is simple, easy to implement, economical and effective, causes little pollution to the environment, and has low subsequent maintenance costs.

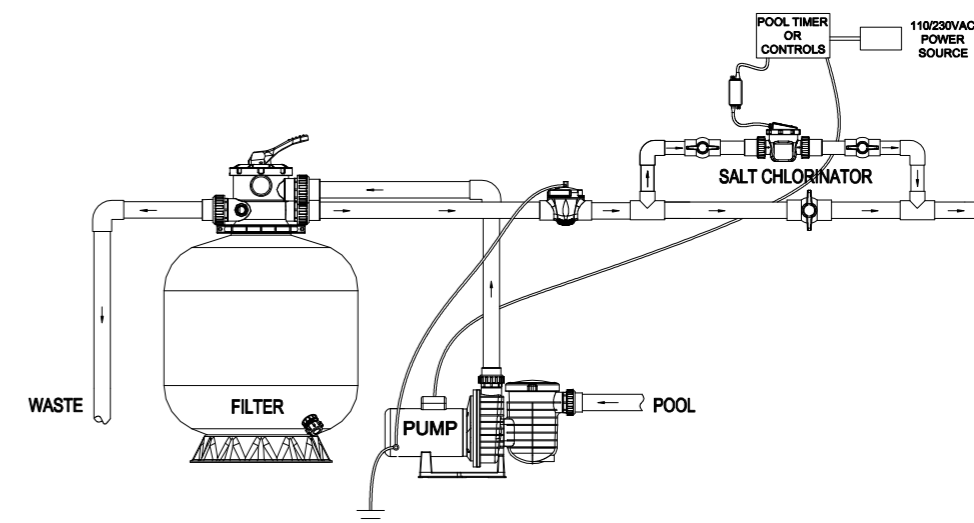


Corroded swimming pool facilities



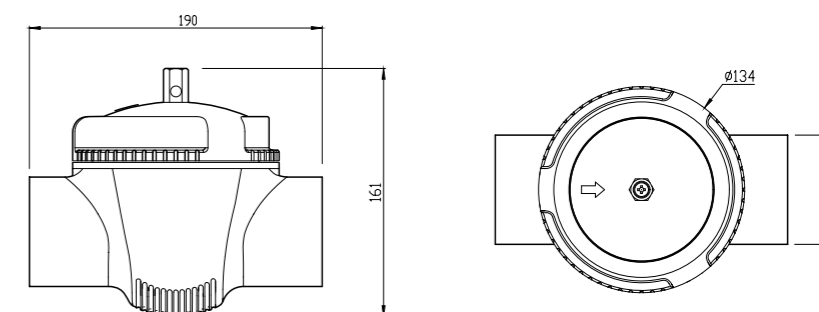
## Product Features:

- The visual transparent cover makes it easy to observe the built-in zinc rod and reduces maintenance work;
- The external set of brass terminals is easy to connect with pool equipment and other metal equipment, can also be grounded to provide protection against electric shock function.
- Maximum working pressure: 4.0Bar.
- Easy to install and maintain: The metal anti-corrosion device is easy to install, without tedious steps and tools.
- Reduce the daily maintenance of swimming pool metal facilities.



## Product Size And Parameters

Model	A
SAP5001-A	Φ2"
SAP5001-B	Φ63mm



Model	L(mm)	W(mm)	H(mm)
WL-SAP5001-A	190	134	161
WL-SAP5001-B	190	134	161

# ADVANCED OXIDATION PROCESS DISINFECTING EQUIPMENT

Unique hydroxyl radical technology, Sterilization rate 99.99% for high-end swimming pool disinfection process.

## Overview:

LASWIM AOP advanced oxidation and disinfection machine is an advanced oxidation and disinfection equipment, which combines ozone and ultraviolet disinfection organically, so that ozone is catalyzed by ultraviolet light to form various free radicals, including hydroxyl radicals, so that most organic matter generates CO<sub>2</sub> and water to solve the toxic and non-biodegradable substances in the water body.

Advanced technology and excellent disinfection ability make the AOP advanced oxidation disinfection machine become the current advanced pool water disinfection and purification system, it is also an ideal choice for high-end swimming pool disinfection.

## Features:

- Integrated structure, easy to install, saves space in the equipment room.
- Ozone safely generated and injected under a vacuum negative pressure operation mode.
- Significantly disinfects chlorine-resistant microorganisms, effectively reduces the free chlorine content in pool water, reduces irritation of human skin and respiratory tract.
- Segregated ozone and UV reactors.
- Built-in independent exhaust gas treatment module and exhaust pipe, can decompose excess ozone gas, to ensure the safety of the server room.
- High-intensity low-pressure UV lamp with a service life of up to 8,000hours.
- The air-cooling system has a remarkable heat dissipation effect, protecting the normal operation of ozone components and extending its service life.
- Manual and automatic mode control.

## Material:

- House: mild steel coated with epoxy resin
- Ozone module: quartz tube +316 stainless steel electrode assembly

## Extensive sterilization:

Microbacteria, Clostridium botulinum, Bacillus, Enterobacteriaceae, Escherichia coli, Erysipelas, Bacillus spores, Staphylococcus, Filtration Virus and Poliovirus.

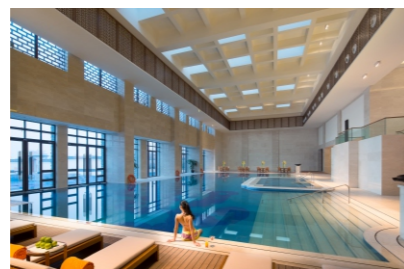
## Other functions:

algae removal, removal of inorganic matter, removal of suspended matter, rich in dissolved oxygen, activation of minerals.

## Applications Of Aop:



High-end public swimming pools



High-end Hotel/Club house Pools



Villa Pool



QUALITY STANDARDS:  
ISO 9001:2015

## AOP products technical advantages:

Super sterilization: AOP (Advanced oxidation process) is the organic combination of ozone gas and ultraviolet, with ozone, ultraviolet high efficiency, broad spectrum sterilization characteristics, is stubborn bacteria viruses and a variety of pathogens, through the rapid destruction of bacteria, virus DNA or RNA molecular structure, resulting in growth or regenerative cell death, to achieve sterilization, disinfection effect. The killing rate is 99.99%, which completely ensures the water quality and health, and avoids cross infection.

### Powerful water purification

Inactivation of chlorine-resistant microorganisms such as viruses, amoebas, cysts and other chlorine-resistant microorganisms and pathogens, AOP provides excellent inactivation of pathogens and reduces free chlorine residues.

### Comfortable environment

The UV rays of AOP photochemically destroy residual ozone in water, eliminating the need for additional ozonation equipment. Ozone effectively reduces the content of trihalomethanes (THM) and rapidly eliminates organic matter. It also improves water clarity and ambient air quality.

### Safe and harmless

AOP is a unique and free of harmful chemicals technology, safe operation in vacuum conditions, is the achievements of more than 30 years of water treatment experience, in the disinfection process, no additional chemicals are added, discard the irritating smell of traditional chlorine disinfection, while destroying chloramines, reducing the irritation of swimmers' eyes, skin and respiratory system. and providing a safe and secure swimming environment.

### Degradation ability

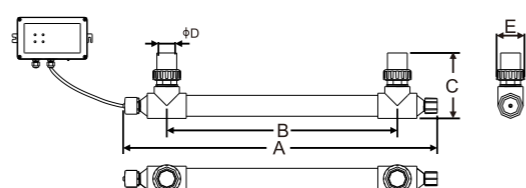
AOP (Advanced Oxidation Process) can form hydroxyl radicals, oxidize and decompose most microorganisms and organic matter into CO<sub>2</sub> and water, and can completely decompose and degrade microorganisms and organic matter in water.

## Product parameters:

Model	AOP 100	AOP 200	AOP 300	AOP 400
Pool volume	100m <sup>3</sup>	200m <sup>3</sup>	300m <sup>3</sup>	400m <sup>3</sup>
Oxidezer production	5g/h	8g/h	12.5g/h	16.5g/h
Feed Gas	3L/min	3L/min	5L/min	5L/min
UV dose	30mj/cm <sup>2</sup> (8h )	30mj/cm <sup>2</sup> (8h)	30mj/cm <sup>2</sup> (8h )	30mj/cm <sup>2</sup> (8h)
Power supply	220V/1P/50Hz	220V/1P/50Hz	220V/1P/50Hz	220V/1P/50Hz
Power consumption	1.1 kW	1.2 kW	1.5 kW	1.6 kW
Dimensions (Lx Wx H)	700*620*1775mm	700*620*1775mm	850*800*1800mm	850*800*1800mm
Net weight	184 kg	189 kg	250 kg	255 kg
Bypass flow rate	5m <sup>3</sup> /h	8m <sup>3</sup> /h	12.5m <sup>3</sup> /h	16.5m <sup>3</sup> /h
Inlet size	1.25 inch	1.25 inch	2 inch	2 inch
Outlet size	1.25 inch	1.25 inch	2 inch	2 inch
Method	Air cooling	Air cooling	Air cooling	Air cooling
Gas feeding	Oxygen source	Oxygen source	Oxygen source	Oxygen source
Material	epoxy coated mild steel	epoxy coated mild steel	epoxy coated mild steel	epoxy coated mild steel

# UV STERILIZER DISINFECTING EQUIPMENT

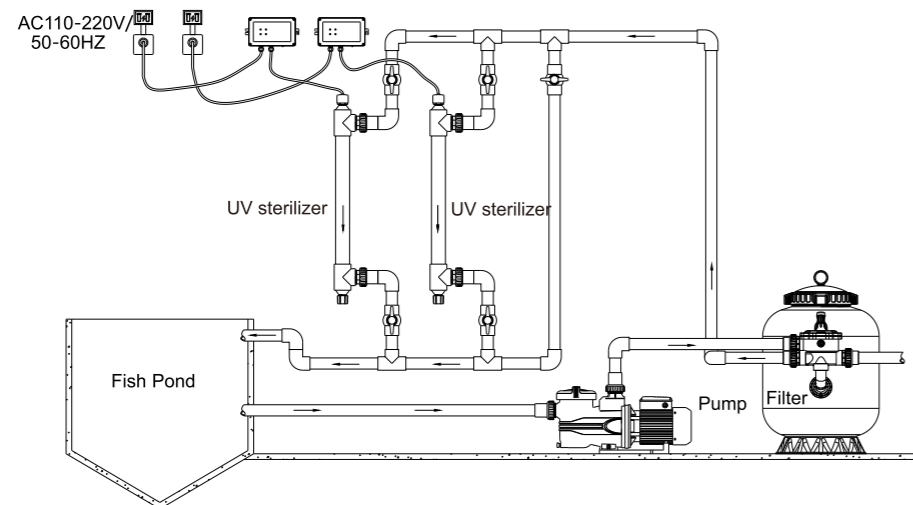
UV sterilizer is an effective product to destroy the genetic structure of bacterial and viruses, and inhibits their ability to multiply, rendering them harmless.



A(mm)	900	900	1055	1200
B(mm)	662	662	817	962
C(mm)	235	235	235	235
E(mm)	101	101	101	101

## Features:

- High quality UV-C lamp that achieve 98% sterilization rate
- Durable UV-C lamp more than 8,000 hours life time
- High quality quartz Sleeve has more than 90% transmittance rate
- Available in 50Hz or 60Hz when request.
- Application in swimming pool and fish pond



Model	Power (W)	Flow rate (m³/h)	Voltage (V)	Lamp quantity	Pipe size (inch/mm)	Fish pond volume (m³)	Pool volume (m³)
WL-UVD40	40	5	220	1	1.5" 50mm	15	30
WL-UVD80	80	8	220	1	1.5" 50mm	24	48
WL-UVD100	100	10	220	1	1.5" 50mm	30	60
WL-UVD120	120	12	220	1	1.5" 50mm	36	72

# UV STERILIZER DISINFECTING EQUIPMENT



WL-UV14×2

## Features:

- Special safe design for public swimming pool and private pool. No risk to swimmer because of safety voltage of 12V.
- Different from the normal revolving design, it adopts particular buckle for UV tube to avoid its damage during installation.
- It uses purely physical method to sterilize the pool water, no chemical residue, non-corrosive, non-toxic side effect after sterilizing by UV sterilizer. No health hazards to human skin and body.
- Compared with CH and ozone generator, UV sterilizer is easy to install, economical and low maintenance too.
- A humanistic design to caution the working situation of UV sterilizer by LED light, and this make the repair and maintenance so easy.
- The sterilization rate of bacteria and virus could reach 99% to 99.9% within 2s, includes flu, hepatitis virus, coli, staphylococci, bacillus subtilis, etc.



WL-UV14×18

Model	Size (mm)	Power (W)	Design Flow (m³/h)	Voltage (V)	Lamp Quantity	Inlet /Outlet (Inch)	Life	Ballast
WL-UV14×2	460×125×320	28	1.5~2	12	14W×2	1.5"	8000~10000	Inductance / Electron
WL-UV14×4	L700×Φ170	56	3~4	12	14W×4	1.5"	8000~10000	Inductance / Electron
WL-UV14×6	L700×Φ170	84	5~6	12	14W×6	1.5"	8000~10000	Inductance / Electron
WL-UV14×8	L700×Φ170	112	7~8	12	14W×8	1.5"	8000~10000	Inductance / Electron
WL-UV14×10	L700×Φ170	140	9~10	12	14W×10	1.5"	8000~10000	Inductance / Electron
WL-UV14×12	L700×Φ170	168	11~12	12	14W×12	2.0"	8000~10000	Inductance / Electron
WL-UV14×14	L700×Φ170	196	13~14	12	14W×14	2.0"	8000~10000	Inductance / Electron
WL-UV14×16	L700×Φ170	224	15~16	12	14W×16	2.0"	8000~10000	Inductance / Electron
WL-UV14×18	L700×Φ170	252	17~18	12	14W×18	2.0"	8000~10000	Inductance / Electron
WL-UV14×20	L700×Φ170	280	18~20	12	14W×20	2.0"	8000~10000	Inductance / Electron



# UV STERILIZER DISINFECTING EQUIPMENT



Thread connection



Flange connection



Ultraviolet is accepted all over the world as a reliable, cost-effective and above all environmentally friendly aquarium water disinfection solution.

UV-C radiation destroys the genetic structure of bacteria and viruses, and inhibits their ability to multiply, rendering them harmless.

### Features:

- Physical sterilization, no side effects, no secondary pollution.
- Simple, efficient, small occupation.

WL-UVC series full flow ultraviolet disinfectant device uses a special made high power ozone free ultraviolet germicidal lamp. The device is also equipped with a micro carbon austenite stainless steel barrel with a specially processed interior, while the exterior of the barrel is also specially polished. The result of this is the water passing the barrel would be radiated and receive 253.7nm (UVC) of ultraviolet with passing through the barrel, providing a excellent disinfectant effect.

### Features:

- The reactor use 304 polished stainless steel, the smooth interior leaves no blind spot for sterilization.
- The ultraviolet light tube is equipped with a quartz sleeve, to ensure optimal working temperature.
- The electrical configuration of the device is suitable to most electrical specifications.
- Special exterior design makes the device convenient to use.
- All rounded sterilization, highly efficient, sterilization rate up to 99.9%.
- High output, physical sterilization, no side effects, no secondary pollution.
- The amount of water that can be sterilized ranges from 5.5-250T/H. The device adapts to swimming pools, spa and water parks of various sizes.

# UV STERILIZER DISINFECTING EQUIPMENT

Model	Power (W)	Rated flow (m <sup>3</sup> /h)	Working voltage (V)	Cabinet	Cabinet size L×D×H (mm)	Control box		Lamp power W x Qty	Inlet & outlet diameter DN
						With/without	Material		
WL-UVCn-78	78	5.5	220V/50Hz	304SS	930×108×720	With	Painted carbon steel	39W×2	Dn32 screw
WL-UVCn-160	160	12	220V/50Hz	304SS	930×108×720	With	Painted carbon steel	80W×2	Dn50 screw
WL-UVC-240	240	20	220V/50Hz	304SS	930×159×780	With	Painted carbon steel	80W×3	Dn65
WL-UVC-320	320	25	220V/50Hz	304SS	930×159×780	With	Painted carbon steel	80W×4	Dn80
WL-UVC-465	465	35	220V/50Hz	304SS	1630×219×830	With	Painted carbon steel	155W×3	Dn100
WL-UVC-620	620	45	220V/50Hz	304SS	1630×219×830	With	Painted carbon steel	155W×4	Dn80 or 100
WL-UVC-775	775	60	220V/50Hz	304SS	1630×219×1080	With	Painted carbon steel	155W×5	Dn150
WL-UVC-930	930	80	220V/50Hz	304SS	1630×325×1180	With	Painted carbon steel	155W×6	Dn150
WL-UVC-1280	1280	90	220V/50Hz	304SS	1630×325×1180	With	Painted carbon steel	320W×4	Dn150
WL-UVCP-1085	1085	100	220V/50Hz	304SS	1630×325×1180	With	Painted carbon steel	155W×7	Dn150
WL-UVCP-1395	1395	125	220V/50Hz	304SS	1630×325×1200	With	Painted carbon steel	155W×9	Dn150
WL-UVCP-1600	1600	110	220V/50Hz	304SS	1630×325×1400	With	Painted carbon steel	320W×5	Dn150
WL-UVCP-1705	1705	150	220V/50Hz	304SS	1630×325×1500	With	Painted carbon steel	155W×11	Dn200
WL-UVCP-1920	1920	130	220V/50Hz	304SS	1630×325×1500	With	Painted carbon steel	320W×6	Dn150
WL-UVCP-2240	2240	150	220V/50Hz	304SS	1630×377×1500	With	Painted carbon steel	320W×7	Dn200
WL-UVCP-2560	2560	180	220V/50Hz	304SS	1630×377×1500	With	Painted carbon steel	320W×8	Dn200
WL-UVCP-2880	2880	200	220V/50Hz	304SS	1630×377×1500	With	Painted carbon steel	320W×9	Dn200
WL-UVCP-3840	3840	250	220V/50Hz	304SS	1630×426×1500	With	Painted carbon steel	320W×12	Dn250

Note: • Lamp service life ≥9000H

- UVCn: thread connection; UVC: flange connection; UVCP: flange connection; all the control box are painted carbon steel.
- Can be equipped with manual cleaning device, automatic flushing device, or advanced online monitoring instrument and remote control system.



## UVX SERIES UV STERILIZER FOR SEAWATER DISINFECTING EQUIPMENT

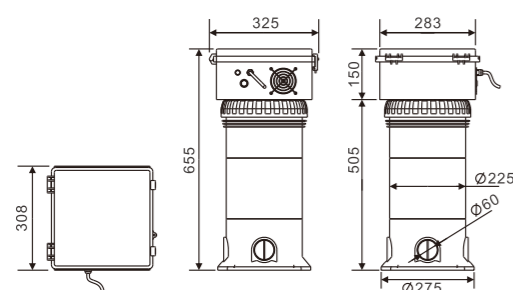


Specially designed for sea water environment. The housing is made of high quality PVC, which is anti-corrosion and durable. Equipped with UV-C lamp and high purity quartz sleeves for high efficient and long term sterilization. The disinfection process is fully closed, with sound and light alarm device, no chemical reaction and by-products.

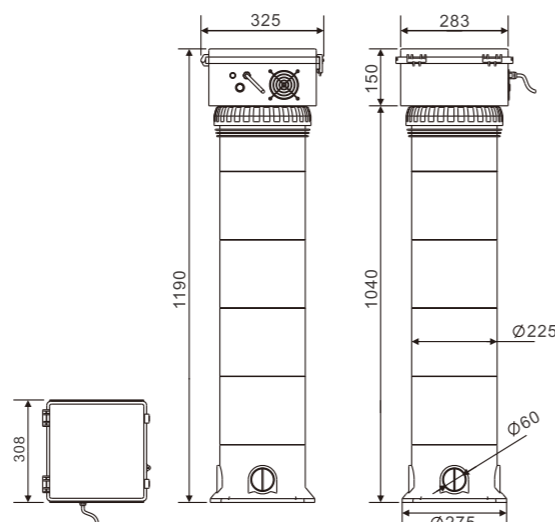
### Advantages:

- High quality UV-C lamp which can achieve 99% sterilization rate.
- Stable and accurate dosage, service life of lamp is more than 10,000 hours.
- Excellent quartz tube provides transmittance over 99%.
- Safe and reliable operation, simplified operation and reduced maintenance.

Model	Flow rate (m <sup>3</sup> /h)	Total power (W)	Voltage (V)	Connection size (mm)
WL-UVX46	5	46	220/50Hz	DN63
WL-UVX92	8	92	220/50Hz	DN63
WL-UVX160	15	160	220/50Hz	DN63
WL-UVX320	25	320	220/50Hz	DN63



WL-UVX46, WL-UVX92



WL-UVX160, WL-UVX320

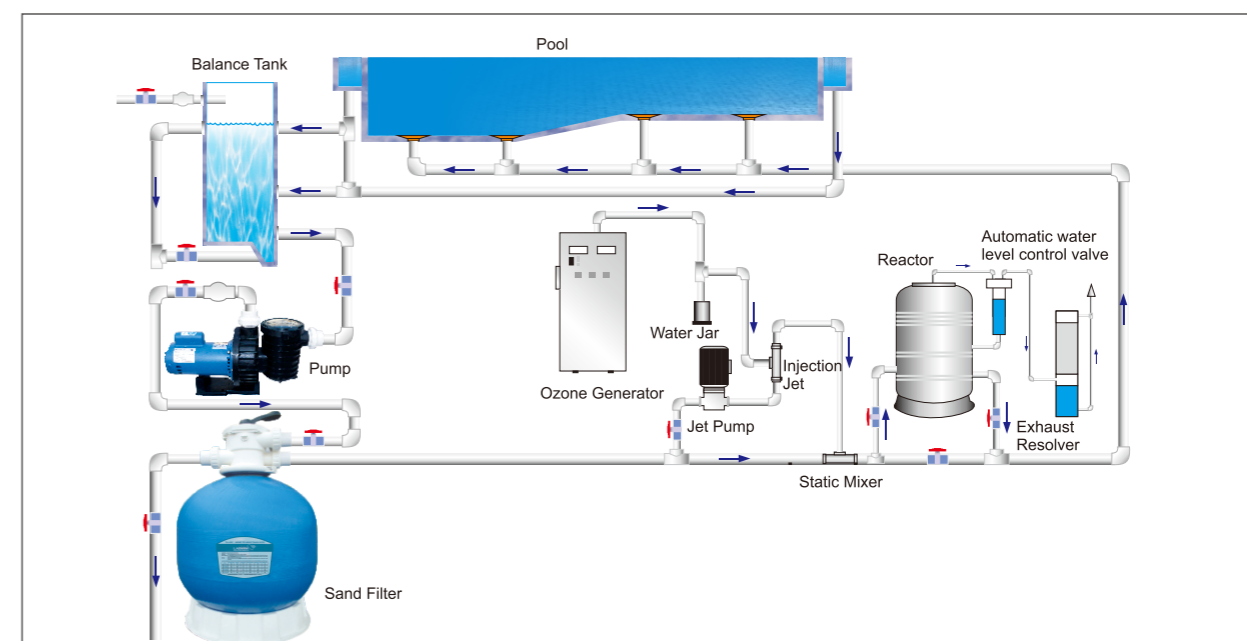
## WALL-MOUNTED OZONE GENERATOR DISINFECTING EQUIPMENT



The wall-mounted ozone generator is suitable for disinfection and sterilization of individual space. Wall mount design is easier for ozone gas to reach anywhere for disinfection. It can be widely used in swimming pool and pond.

### Advantages:

- Air cooling design.
- Microcomputer timer, the working time can be preset according to needs.
- The shell is designed with stainless steel, which is durable.
- The ozone generating tube has high conversion efficiency, low energy consumption, can work continuously, and has a long service life.
- Built-in anti-backwater solenoid valve.



Model	DNA-3G	DNA-5G	DNA-7G	DNA-10G	DNA-15G	DNA-20G
Ozone Output	3g/h	5g/h	7g/h	10g/h	15g/h	20g/h
Power	60 W	80 W	120 W	140 W	250 W	270 W
Cooling Method	Air Cooled	Air Cooled	Air Cooled	Air Cooled	Air Cooled	Air Cooled
Outlet Diameter	4mm	4mm	4mm	4mm	10mm	10mm
Unit Weight	4kg	4.2kg	7.8kg	8.4kg	13.2kg	14.6kg
Disinfection Area	0-30m <sup>2</sup>	0-50m <sup>2</sup>	0-70m <sup>2</sup>	0-100m <sup>2</sup>	0-150m <sup>2</sup>	0-200m <sup>2</sup>
Dimension(L*W*H)	23*18*46cm	23*18*46cm	32*25*52.5cm	32*25*52.5cm	40*30*62cm	40*30*62cm
Feed gas	Clean And Dry Air(inner air pump)					
Voltage	110V/60Hz;220-240V/50Hz;220V/60Hz					

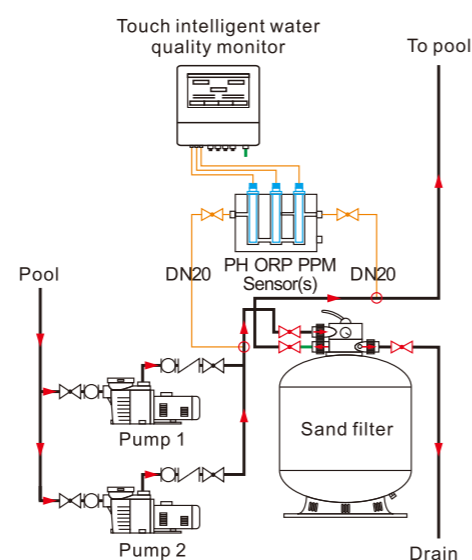
## TOUCH INTELLIGENT WATER QUALITY MONITOR DISINFECTING EQUIPMENT

- Electrode plug and play, no conversion module is needed, three-point probe calibration, more precise data. Water quality parameter standards include European, Chinese and other national standards;
- Switch free between Chinese and English interfaces, more convenient to operate by full touch screen;
- Less failure, high accuracy, low maintenance.
- Can control 3 sets of dosing pump;



### Installation Guide:

- Close the water valves at the front and back of the installation site to keep the installation section free of water, so as to avoid accidents.
- The water intake point shall be located behind the water pump and in front of the filter in the return water pipeline of the swimming pool. There is a certain pressure difference between the water inlet and the outlet to make the water flow through the flow trough. Use tools to drill a DN15 hole at this main pipeline or change it to DN15 through tee, and fix the DN15 ball valve at the water intake;
- Install the acrylic flow trough and the water quality monitor. Use the wall mounting method to connect the flow trough with the DN15 ball valve of the water intake through 6x4mm hose;
- The water outlet of the flow trough is directly discharged by pressure relief through 6x4mm hose (discharged to the water collecting well or returned to the equalization tank);
- Open the water valve to confirm whether there is water flow through the flow trough and the water flow is enough.



### Technical Parameter

Product Model	WL-SZ1202
PH measurement	Electrode method , measurement range : 0 -14PH , measurement accuracy : <0.01PH , suitable temperature : 0-80 °C
ORP measurement	Electrode method, measurement range : 0~+1200mv , measurement accuracy : <2mv , suitable temperature : 0-80 °C
Input power	220-250V , 50/60Hz
Output	3 sets of dosing pump output ( 5A , 220V-240V )
Display	4.3-inch LCD screen
Operation	Touch
Dimensions	200(height) x 235(width) x70 (depth) mm
Weight	1.7kg
Installation method	Wall-mounted
Housing material	Plastic
Protection grade	IP65
Working environment	Normal temperature and keep dry
Others	Built-in water quality standards. Support Chinese and English bilingual

Notes : Each machine corresponds to a pair of probes, not to be mixed up. Clean and calibrate the probe every 3 months.

## METERING PUMP DISINFECTING EQUIPMENT



The metering pump is designed to inject chemicals into piping systems. All models are equipped with a side mounted mechanical flow rate adjustment knob. Optional on/off cycling timers are available.

Model	Strokes Per Minute	Maximum Chemical Flow ( ml/m )	Maximum Pressure ( kpa )	Power source
WL-AYB660P	60	290	420	220V/50Hz

### CHEMICAL FEEDER

#### Features:

- No special venting required.
- Completely sealed, no escape of gas.
- Positive external, no-clog control valve.
- Feeder is designed to automatically lower the water level so tablets are not soaking during off period of pump. This allows more efficient use of tablets.
- No equipment damage. Feeds sanitizer directly to pool or spa.
- To prevent over feeding during use, completely close the control valve and the built in check valve will prevent chemical from being fed into pool or spa.
- All parts replaceable.
- Never connect with brass pipe.



WL-AYJ01



PCF01

4.2lbs ( 1.9kgs ) Inline Chlorine Feeder Body



CL-200

#### Features:

- 9lb inline chlorine feeder.
- Chlorine feeder rate is adjustable by regulating the valve setting.
- Easy-lock cover for total tightness.